



water solutions



QUICK AND EASY SOLUTION  
FOR DEFENDING YOUR PROPERTY  
FROM FLOODING

# **FLOOD** *pump kit*

EN

# Zenit solution for **flooding**

The **Zenit** flood pump kit comprises a **DR steel TCG** pump, a sturdy long hose which is supplied in an easy carry case. The flexible hose has a quick connection for fast deployment in an emergency. All material are corrosion resistant. The pre-assembled float switch automatically stops the pump and is ready to use by connecting the hose.



## Benefits

**Smart**

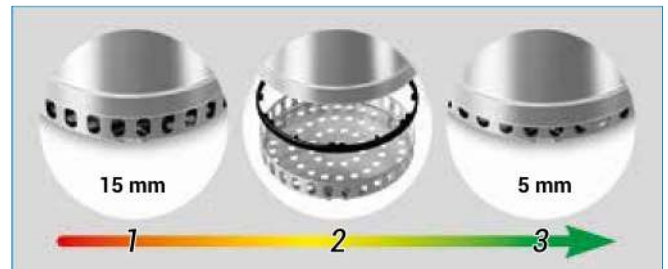
The plastic carry case can be stored on a shelf or as a strainer during operation.

**Easy**

It requires limited space and can be easily carried with the 2 handles on each side, and the case allows to have everything easily accessible.

**Ready**

The Zenit flood pump kit is ready to use and there is no need for special tools.

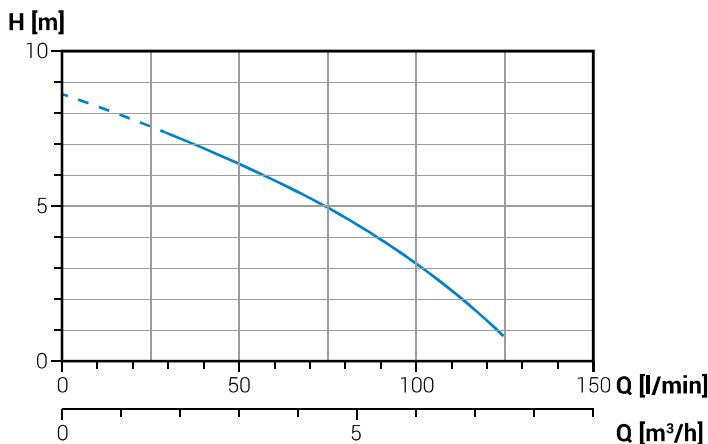


## Technical data

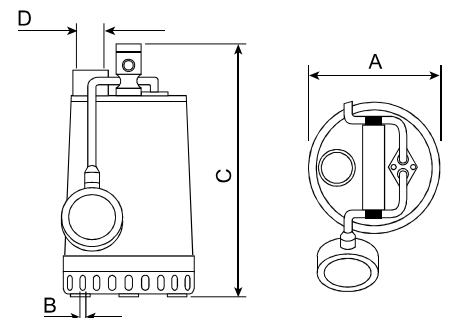
V	kW	A	Cable	Ø	Free passage
230~1	0.25	2.3	10 m	G 1¼"	10 mm

The **DR steel** easily converts from an ordinary submersible pump to a *dry floor* unit. When operating in this mode, the suction level can be reduced to as little as **5 mm** above the ground.

## Performances



## Dimensions



A	B	C	D	kg
170	10	300	G 1¼"	5.9